

6

5

4

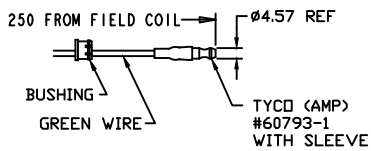
3

2

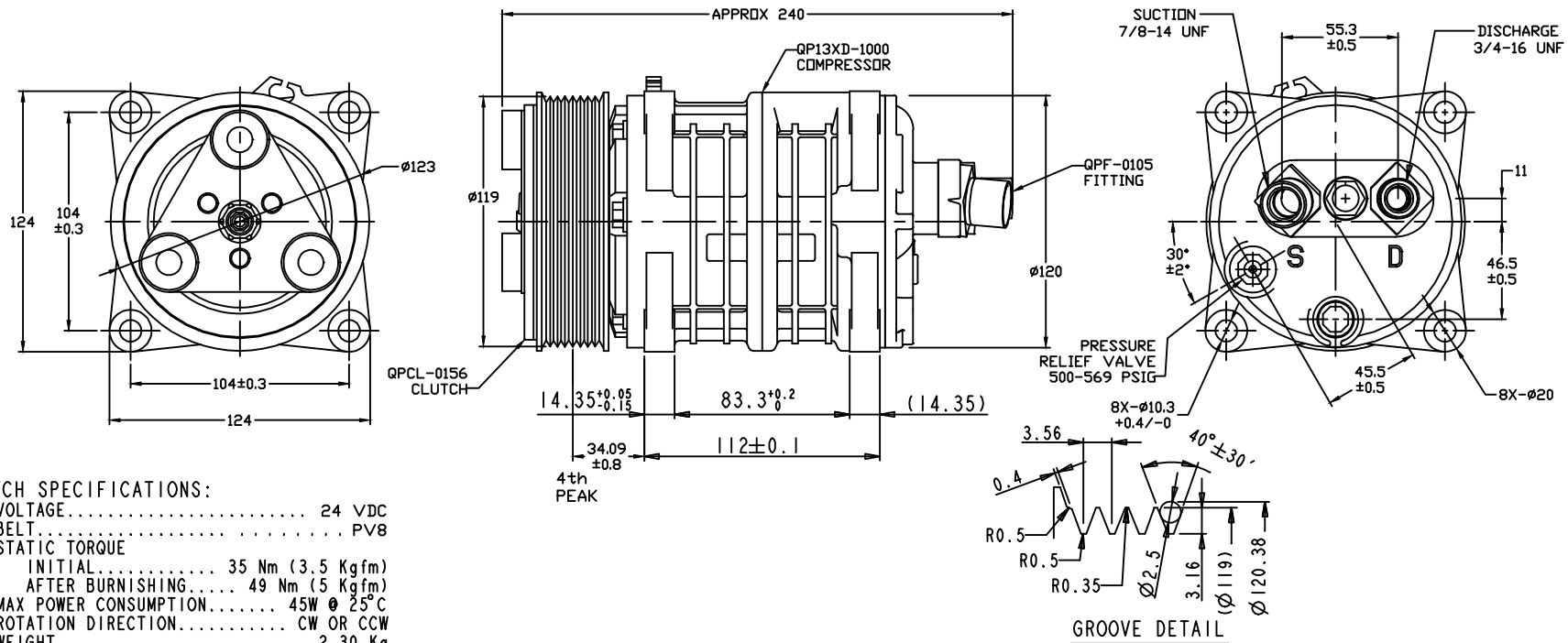
1

REVISIONS

| CHANGE ORDER | LTR | DESCRIPTION | DATE | APPROVED |
|--------------|-----|-------------|----------|----------|
| MD | 0 | RELEASED | 11/20/14 | |
| | | | | |
| | | | | |



TERMINAL LEAD DETAIL



CLUTCH SPECIFICATIONS:

- 1. VOLTAGE..... 24 VDC
- 2. BELT..... PV8
- 3. STATIC TORQUE
INITIAL..... 35 Nm (3.5 Kgfm)
AFTER BURNISHING..... 49 Nm (5 Kgfm)
- 4. MAX POWER CONSUMPTION..... 45W @ 25°C
- 5. ROTATION DIRECTION..... CW OR CCW
- 6. WEIGHT..... 2.30 Kg

COMPRESSOR SPECIFICATIONS:

- 1. MODEL..... QP13HD
- 2. NUMBER OF CYLINDERS..... 6
- 3. BORE X STROKE..... 36 X 21.4 mm
- 4. DISPLACEMENT..... 131 cm³/REV
- 5. SPEED RANGE..... 700 - 6000 RPM
- 6. ROTATION DIRECTION..... CW OR CCW
- 7. REFRIGERANT..... R-134a or R-404a
- 8. LUBRICANT..... NO OIL -SHIP DRY-
- 9. WEIGHT..... 4.5 Kg

| | | | |
|---|---|-------------------------|---|
| UNLESS OTHERWISE SPECIFIED DIMENSIONS ARE IN MM. INTERPRET DIM AND TOL PER ASME Y14.5M - 1994 | CAD GENERATED DRAWING, DO NOT MANUALLY UPDATE | | MANUFACTURING, L.L.C. DECATUR, ILLINOIS USA |
| | THIRD ANGLE PROJECTION | DRAWN GLB DATE 11/20/14 | |
| | CHECKED | | SIZE A CODE IDENT NO DWG NO - REV QP13XD-2076_0 |
| | APPROVED | | SCALE NONE SHEET 1 OF 1 |
| FINISH | ENG APPVL | | |

6

5

4

3

2

1