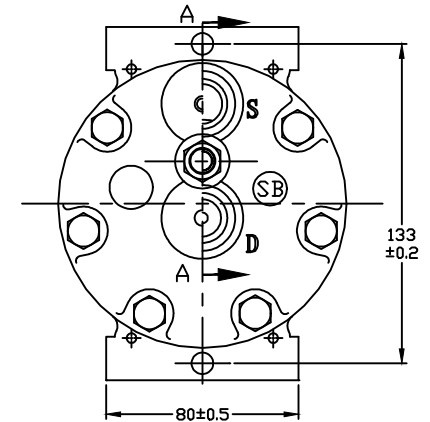
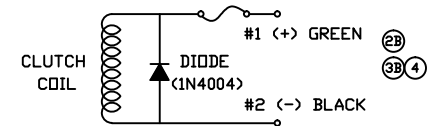


O-RING & SHIPPING PAD REMOVED



THERMAL FUSE
192°C MAX 167°C HOLDING
THERMIST MICROTEMP
TCD #G7A00192C OR EQUIVALENT



POLARITY SCHEMATIC

COMPRESSOR SPECIFICATIONS

NUMBER OF CYLINDERS	/	7
DIAMETER OF CYLINDER	mm	Ø29.3
STROKE	mm	32.8
DISPLACEMENT	cm ³ /r	154.8
MAX INSTANT REVOLUTION	r/min	7000
MAX CONT. REVOLUTION	r/min	6000
REFRIGERANT	/	R134a
OIL PAG 46	cc	175
WEIGHT	Kg	4.8

CLUTCH SPECIFICATIONS

RATED VOLTAGE	DC.V	24
MIN CLUTCH-ON VOLTAGE	DC.V	16 MAX
BELT PULLEY	N	PV7
WATTAGE	W	45
BREAKAWAY TORQUE	N.m	34
WEIGHT	Kg	

4	REVISED WIRE COLORS	GLB	09/15/14
3B	CLARIFIED WIRING POLARITY		08/18/10
3A	Ø16.65 & Ø15.2 WAS 2X-Ø18 Q09041		08/18/10
2B	REMOVED WIRE COLORS Q09038		09/03/09
2A	REVISED PORT PER QP-H106 Q09027		09/03/09
1	REVISED PER ED Q08022	GLB	11/20/08
NO.	REVISION RECORD	BY	DATE

MATERIAL	PART NO.	NAME
	QP8231	COMPRESSOR
SCALE	DATE	MANUFACTURING, L.L.C.
1:1	04/10/08	BECAHUR, ILLINOIS USA
MODEL	DRAWING NO. - REV	
QP7H15-8231	QP7H15-8231_4	