

6

5

4

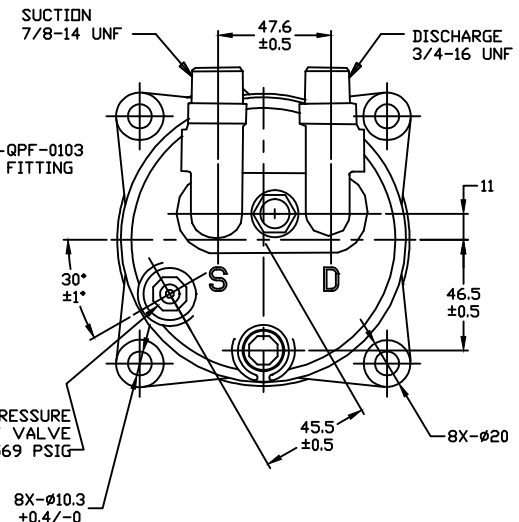
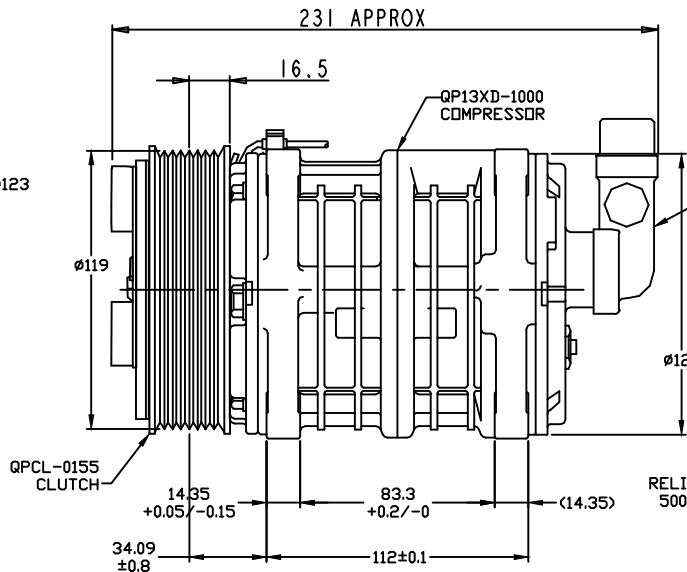
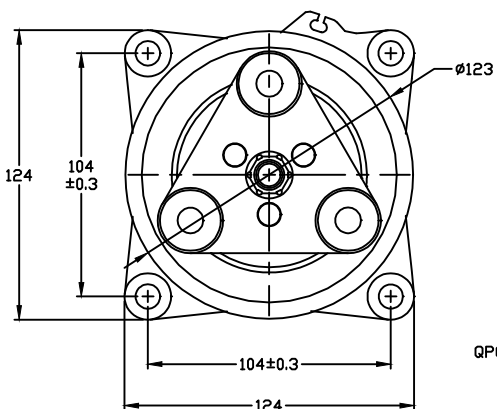
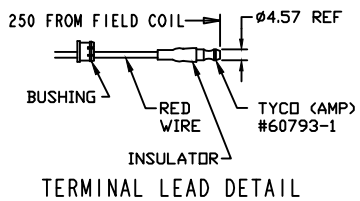
3

2

1

REVISIONS

CHANGE ORDER	LTR	DESCRIPTION	DATE	APPROVED
JORG	0	RELEASED	09/20/11	


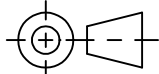


CLUTCH SPECIFICATIONS:

- VOLTAGE..... 12 VDC
- BELT..... PV8
- STATIC TORQUE  
INITIAL..... 35 Nm (3.5 Kgfm)  
AFTER BURNISHING..... 49 Nm (5 Kgfm)
- MAX POWER CONSUMPTION..... 45W @ 25°C
- ROTATION DIRECTION..... CW OR CCW
- WEIGHT..... 2.4 Kg

COMPRESSOR SPECIFICATIONS:

- MODEL..... QP13HD
- NUMBER OF CYLINDERS..... 6
- BORE X STROKE..... 36 X 21.4 mm
- DISPLACEMENT..... 131 cm<sup>3</sup>/REV
- SPEED RANGE..... 700 - 6000 RPM
- ROTATION DIRECTION..... CW OR CCW
- REFRIGERANT.....
- LUBRICANT..... NO OIL -SHIP DRY-
- WEIGHT..... 4.3 Kg

UNLESS OTHERWISE SPECIFIED DIMENSIONS ARE IN MM. INTERPRET DIM AND TOL PER ASME Y14.5M - 1994		CAD GENERATED DRAWING, DO NOT MANUALLY UPDATE		 <b>MANUFACTURING, L.L.C.</b> DECATUR, ILLINOIS USA	
THIRD ANGLE PROJECTION		DRAWN GLB	DATE 09/20/11		
		CHECKED		SIZE A	
		APPROVED		CODE IDENT NO QP13XD-1802_0	
FINISH		ENG APPVL		SCALE NONE	
				SHEET 1 OF 1	

6

5

4

3

2

1